

# INDIAN INDUSTRIES

---

Material Handling Division



## GENERAL PRODUCT CATALOG

Providing Material Handling Equipment and Spares for Over 15 Years

---

**Indian Industries, LP**  
1224 Old Fern Valley Road, Suite 140  
Louisville, KY 40219  
T: (502) 966-4882  
C: Eric Gross, Manager  
[eric@indian-industries.com](mailto:eric@indian-industries.com)



## About Indian Industries

Indian Industries, Material Handling Division is a premier material handling equipment and spare parts company located in Louisville, KY. Indian Industries is a manufacturer of unloading equipment, package handling equipment, air cargo handling equipment and various other material handling products and spares. We've been serving customers worldwide with material handling equipment and spare needs for over 15 years. We credit our success to an amazing staff that is knowledgeable and customer-focused, long-standing relationships with customers and suppliers, and creating customer value with every opportunity. When doing business with Indian Industries you can expect a staff that will go above and beyond to meet the needs of the customer, provide a quality product, and fast response time.

Indian Industries is headquartered in Arlington, TX and has been serving customers globally for over 30 years in markets including but not limited to Material Handling, Defense/Aerospace, Oil/Gas, and General Industrial. Indian has two divisions with locations in Louisville, KY which supports the Material Handling division and a location in Arlington, TX which supports the Gasket/Seal division. Indian Industries is part of a group of family owned manufacturing companies. Indian Rubber is a custom molded rubber manufacturer located in Arlington, TX. Polymer Products is a custom molded polyurethane manufacturer located in Grand Prairie, TX. Griffith Polymers is a custom molded polyurethane manufacturer located in Tualatin, Oregon. Indian Global Manufacturing is a metal and plastic machining manufacturer located in Costa Rica. Our vast family owned conglomerate of manufacturing companies provides synergies, expertise, and technologies to meet the rapidly changing needs of our customers around the world.

---



# Contents

---

About Indian Industries, Material Handling Division	2
Contents	4
Gravity Rollers	4
Types of Rollers Available	4
How to Measure	4
Additional Information	4
Gravity Roller Template	5
Gravity Roller Template	5
Steel Rollers	6
Aluminum Rollers	7
PVC Rollers	8
Power Driven Roller & Idler	9
Types of Rollers Available	9
How to Measure	9
Additional Information	9
Power Driven Roller & Idler Template	10
Power Roller & Idler Template	10
Pulley Template	11
Pulley Template	11
Roller Conveyor Template	12
Roller Conveyor Template	12
Container Stops	13
Drop In	13
Additional Information	13
Ball Transfer Units	14
Drop In	14
Also Available	14
Container Locks	15
Unloaders	16
Roller Unloader	16
Slide Unloader	16
Conveyor Equipment	17
Other Services	17
Spares Available	18

---



# Gravity Rollers

Indian Industries offer a variety of gravity rollers.

## Types of Rollers Available

Material: Steel, Aluminum, and PVC  
Outside Diameter: 3/4", 1", 1-3/8", and 1.9"  
Between Frame (BF) Lengths: 4" - 51"  
Shafts: 1/4" round, 5/16" hex, 7/16" hex  
Shaft Type: spring loaded or pin retained

## How to Measure

To get the most accurate reading, we suggest measuring the between frame to find the length of the roller. Various bearings and shaft lengths prove difficult when measuring the tube length.

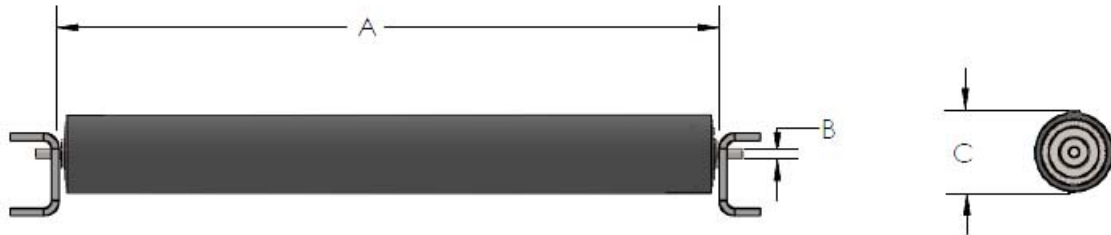
## Additional Information

We can supply custom rollers such as grooved for lineshaft, CDLR, tapered rollers, urethane covered rollers and much more. Feel free to bring your custom requirements to Indian.





# Gravity Roller Template



## Roller Specifications:

Roller material: \_\_\_\_\_  
 If PVC, white or grey: \_\_\_\_\_  
 Roller between frame (A): \_\_\_\_\_  
 Roller shaft size (B): \_\_\_\_\_  
 Roller outside diameter (C): \_\_\_\_\_  
 Wall thickness: \_\_\_\_\_  
 Shaft type (round/hex): \_\_\_\_\_  
 Shaft material (steel/alum): \_\_\_\_\_  
 Spring loaded/pin retained: \_\_\_\_\_  
 Roller quantity: \_\_\_\_\_

Tapered rollers: \_\_\_\_\_  
 Smaller roller dia: \_\_\_\_\_  
 Larger roller dia: \_\_\_\_\_  
 Specialties: \_\_\_\_\_  
 Coatings: \_\_\_\_\_

Contact directly for grooved or sprocket rollers.

Email: [eric@indian-industries.com](mailto:eric@indian-industries.com)

## Customer Contact:

Name: \_\_\_\_\_  
 Company: \_\_\_\_\_  
 Phone No.: \_\_\_\_\_

Email: \_\_\_\_\_  
 Date: \_\_\_\_\_

## Indian Contact:

C: Eric Gross, Manager  
 P: (866) 966-4882  
 E: [eric@indian-industries.com](mailto:eric@indian-industries.com)



## Steel Rollers

Indian Industries offers a variety of steel rollers.

Roller, 1" od w/ 1/4" round shaft



Roller, 1-3/8" od w/ 5/16" hex shaft



Roller, 1.9" od w/ 7/16" hex shaft



Roller, 1-3/8" od w/ 1/4" hex shaft



Heavy walled rollers available:



Roller, 1-3/8" od w/ 1/4" round shaft





## Aluminum Rollers

Indian Industries offers a variety of aluminum rollers and can customize to meet your business needs.

Roller, 1-3/8" od w/ 1/4" round shaft



Roller, 1.9" od w/ 7/16" hex shaft



### Features:

- Lightweight
- Corrosion resistant





## PVC Rollers

Indian Industries offers a variety of PVC rollers and can customize to meet your business needs. Our PVC rollers are lightweight and durable.

Roller, 3/4" od w/ 1/4" round shaft



Roller, 1.9" od w/ 1/4" round shaft



Roller, 1" od w/ 1/4" round shaft



Roller, 1.9" od w/ 7/16" hex shaft



Roller, 1.9" od w/ 7/16" alum hex shaft



### Features:

- Available in white or grey PVC
- UV resistant
- Schedule 80 tubing
- Shatter resistant
- Corrosion resistant
- Lightweight





## Power Driven Rollers & Idlers

Power driven rollers and idlers are used in a variety of conveyor equipment. Such as drives, tails, noseovers, and hitches. Carrying and return rollers are also available.

### Types of Rollers Available

Material: steel

Outside Diameter: 2-1/8", 2-3/4", 3-1/2"; 4-1/2"

Between Frame (BF) Lengths: 24" - 60"

Shaft Type: internal/external threaded, d-mill, tapped

### How to Measure

To get the most accurate reading, we suggest measuring the between frame to find the length of the roller. Various bearings and shaft lengths prove difficult when measuring the tube length.

### Additional Information

Custom tube and shaft lengths are available. We can also cover rollers with urethane and other materials. Custom bearings available for your application.

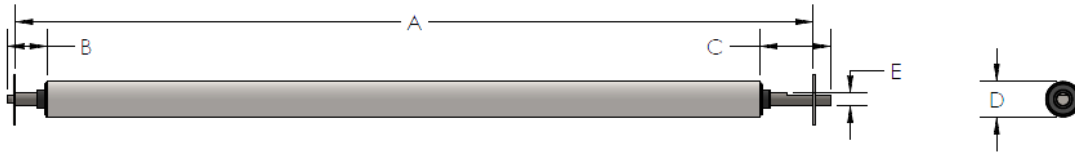


### Features:

- Heavy Duty
- Long life
- Made with robust ER type bearings



# Power Driven Rollers & Idlers Template



## Roller Specifications:

Roller between frame (A): \_\_\_\_\_

Shaft (B) type (d-mill, internal or external threads):  
\_\_\_\_\_

Shaft (C) type (d-mill, internal or external threads):  
\_\_\_\_\_

Roller outside diameter (D): \_\_\_\_\_

Tapered or flat face: \_\_\_\_\_

Shaft size (E): \_\_\_\_\_

Roller quantity: \_\_\_\_\_

## Contact:

Name: \_\_\_\_\_

Company: \_\_\_\_\_

Phone No.: \_\_\_\_\_

Email: \_\_\_\_\_

Date: \_\_\_\_\_

## Indian Contact:

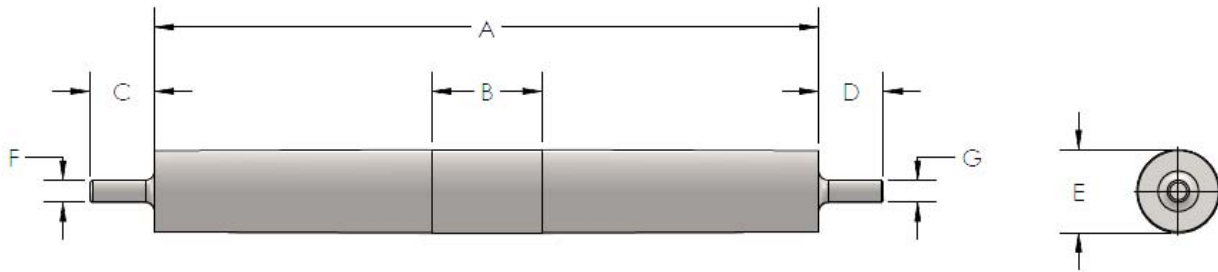
C: Eric Gross, Manager

P: (866) 966-4882

E: eric@indian-industries.com



# Pulley Template



## Pulley Specifications:

Pulley construction (solid /tube): \_\_\_\_\_

If tube, welded or XT bushing: \_\_\_\_\_

Drum length (A): \_\_\_\_\_

Crowned (yes/no) (B): \_\_\_\_\_

Journal (C): \_\_\_\_\_

Journal (D): \_\_\_\_\_

If drive pulley, provide power unit info (hollow shaft, buddy box, etc.): \_\_\_\_\_

Drum diameter (E): \_\_\_\_\_

Shaft (F): \_\_\_\_\_

Shaft (G): \_\_\_\_\_

Lagging (yes/no): \_\_\_\_\_

Keyway: \_\_\_\_\_

Pulley quantity: \_\_\_\_\_

## Contact:

Name: \_\_\_\_\_

Company: \_\_\_\_\_

Phone No.: \_\_\_\_\_

Email: \_\_\_\_\_

Date: \_\_\_\_\_

## Indian Contact:

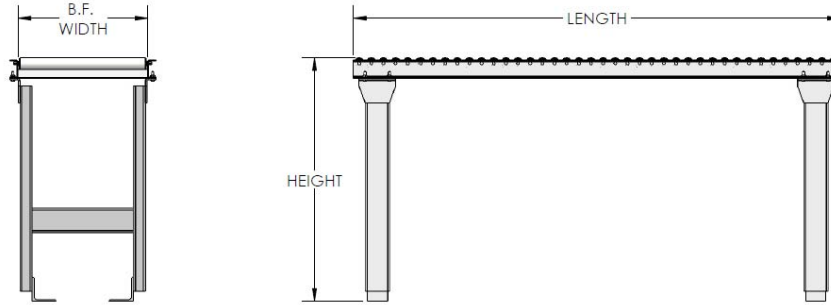
C: Eric Gross, Manager

P: (866) 966-4882

E: eric@indian-industries.com



# Roller Conveyor Template



## Roller Specifications:

Roller material: \_\_\_\_\_  
 Roller between frame: \_\_\_\_\_  
 Roller outside diameter: \_\_\_\_\_  
 Wall thickness: \_\_\_\_\_

Roller shaft size: \_\_\_\_\_  
 Shaft material (steel/alum): \_\_\_\_\_  
 Shaft type (round/hex): \_\_\_\_\_  
 Spring loaded or pin retained: \_\_\_\_\_

## Frame Specifications:

Frame bolted or welded: \_\_\_\_\_  
 Frame material (alum/steel): \_\_\_\_\_  
 Frame channel (L or C): \_\_\_\_\_  
 Frame painted or galvanized: \_\_\_\_\_  
 If painted, list color: \_\_\_\_\_

Frame length: \_\_\_\_\_  
 Roller spacing: \_\_\_\_\_  
 Height (floor to top of roller): \_\_\_\_\_  
 Leg options (tripod, H-style adjustable, made to length, adjustable legs): \_\_\_\_\_

## Contact:

Name: \_\_\_\_\_  
 Company: \_\_\_\_\_  
 Phone No.: \_\_\_\_\_

Email: \_\_\_\_\_  
 Date: \_\_\_\_\_

## Indian Contact:

C: Eric Gross, Manager  
 P: (866) 966-4882  
 E: eric@indian-industries.com



# Container Stops:

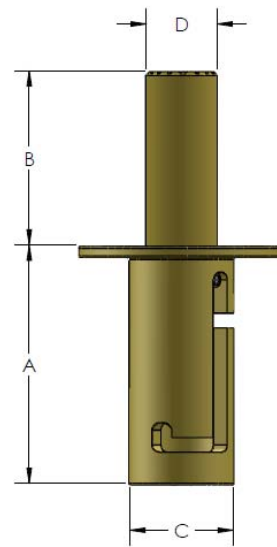
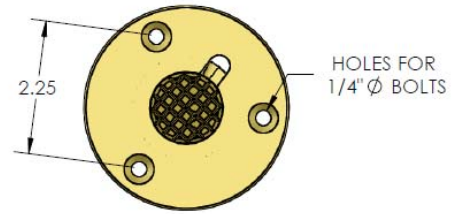
Indian Industries offers various container stops to meet your business needs.

## Bolt In:

Our container stops offers easy installation. Drop into an existing ball transfer unit hole and secure with self-tapping screws.

### Features:

- Solid steel, yellow zinc plated
- Spring loaded
- Pin release channel
- Foot step-and-turn activation
- Fits in existing decks and mats



Part Number	A	B	C	D
ZCONTSTPMRP0	5-5/16"	2-9/16"	1-3/4"	1-1/4"

## Additional Information

Indian Industries has other models, types, and materials available. Pin length can be modified to meet your specifications.



# Ball Transfers:

Indian Industries provides ball transfer units for your air cargo. The ball transfer units offer easy installation and can be used in all standard ball decks. Our ball transfers are American made and have a long service life.

## Drop In:

### Dimensions in inch/pound

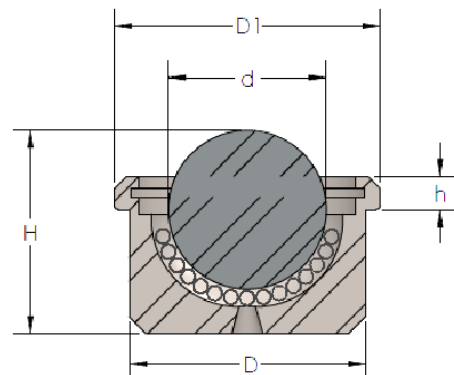
Part Number	Ball Material	Housing Material	Plating	d	D	D1	h	H	Load Capacity (lbs)	Mass (lbs)
ZBTGZ6030000	Stainless Steel	Carbon Steel	Yes	1.188	1.774	2.000	0.0525	1.450	500	0.69
ZBTSS6030000	Stainless Steel	Stainless Steel	No	1.188	1.774	2.000	0.0525	1.450	500	0.69

### Dimensions in millimeter/kilogram

Part Number	Ball Material	Housing Material	Plating	d	D	D1	h	H	Load Capacity (kg)	Mass (kg)
ZBTGZ6030000	Stainless Steel	Carbon Steel	Yes	30.14	45.06	50.80	13.34	36.83	226	0.31
ZBTSS6030000	Stainless Steel	Stainless Steel	No	30.14	45.06	50.80	13.34	36.83	226	0.31

## Features:

- Easy installation
- One piece housing
- Main 1-3/16" ball rotates on 1/8" support balls
- Heat treated machined housing
- Corrosion resistant
- Zinc plated carbon steel housing



## Also Available:

- Studded Ball Transfer
- Multi-Hole Ball Transfer



## Container Locks:

Our container locks feature solid construction and are easy to use. Simply push the ULD container into the lock and it will lock onto the container lip. Step on the pedal to release the lock.

### Features:

- Solid steel, yellow zinc plated
- Step release
- Spring loaded foot pedal
- Mounting plate with hardware available
- Corrosion resistant
- Long service life







## Unloaders:

Indian Industries provides unloading devices to off-load packaged material from the truck to the conveyor. Below are samples of the standard units we provide. We can build custom units to meet your requirements.

### Roller Unloaders:

Extension Roller Unloader



Waist High Unloader  
Available in 2, 3, and 4 stages



### Slide Unloaders:

Metro Unloader  
Available in 2 and 3 stages.



Boxline Unloader





## Conveyor Equipment:

Stairs



Handrail

Tails

Slave Pallets

Caster Decks

Ball Decks

Nose-overs

Roller Decks

Chutes

Roller conveyors



Slides

Ladders

Platforms

Drives

Bumpers

Conveyor Intermediates

## Other Services:

Engineering & Reverse Engineering

Facility Conveyor Layouts & Manuals

OEM Spares

Research and Development

Custom Welding and Fabricating

Solving Existing Workflow Issues



# Spares Available:

Casters



Hardware



Turnbuckles



Bearings



Wheels



Springs



Thimbles



Shocks



Belts



Lacing & pin



Cable Clips



Cable Reels



Custom UHMW



Chains



Sprockets



Safety Labels & Tags



Cables



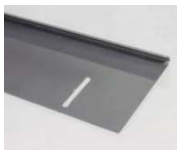
Shackles



Camlocks & Strikes



Guards



And much more...